

## Main Feature

1. EMI-2P Series Relays are designed for switching capacity by 8A to comply with industrial control system use.
2. Slim type and low profile (29.0 x 12.7 x 15.0) is developed to provide end users with more flexibility in PC Board design.
3. Low power consumption and both AC and DC coil available.
4. Proper insulation distance is equipped to ensure EMI will has a 5000VAC dielectric strength between contact and coil.
5. Complete protective construction from dust and soldering flux is designed. If required, plastic epoxy resin sealed type is available for washing procedure.

## Application:

Cooking appliance, audio equipment, domestic appliance and controlling equipment, etc.

## Contact Rating:

- Nominal Load (Resistive)  
Contact Capacity .....8A at 250VAC.  
8A at 30VDC
- Rated Carrying Current .....8A.
- Max. Allowable Current .....8A.
- Max. Allowable Voltage.....AC 250V, DC 110V.
- Max. Allowable Power Force .2,000VA, 240W.
- Min. Switching Load .....DC 5V, 10 mA.
- Contact Material .....Ag Alloy
- Contact Form.....DPDT, DPST

## Performance (at Initial Value)

- Contact Resistance.....100 mΩ Max. @1A,6VDC
- Operate Time.....12 mSec. Max.
- Release Time .....8 mSec. Max.
- Dielectric Strength:  
Between Coil & Contact.....5,000VAC at 50/60 Hz  
for one minute.
- Between Contacts .....1,000VAC at 50/60 Hz  
for one minute.
- Surge Resistance: .....3,000V (between coil  
& contact 1.2x50μSec.)
- Insulation Resistance .....100MΩ Min at  
500VDC
- Max. On/Off Switching:  
Electrical.....30 Ops per Minute.
- Mechanica .....300 Ops per Minute.

- Temperature Range ..... -40~85 °C.
- Humidity Range ..... 45~85% RH.
- Coil Temperature Rise..... 30 °C Max.
- Vibration:  
Endurance..... 10 to 55 Hz dual  
amplitude width 1.5 mm
- Error Operation..... 10 to 55 Hz dual  
amplitude width 1.5 mm.
- Shock:  
Endurance ..... 1,000 m/S<sup>2</sup> Min.
- Error Operation..... 100 m/S<sup>2</sup> Min.
- Life Expectancy:  
Electrical ..... 10<sup>5</sup> Operations at  
Rated Resistive Load.
- Mechanical ..... 10<sup>7</sup> Operations at  
No load condition.
- Weight ..... About 15 g.

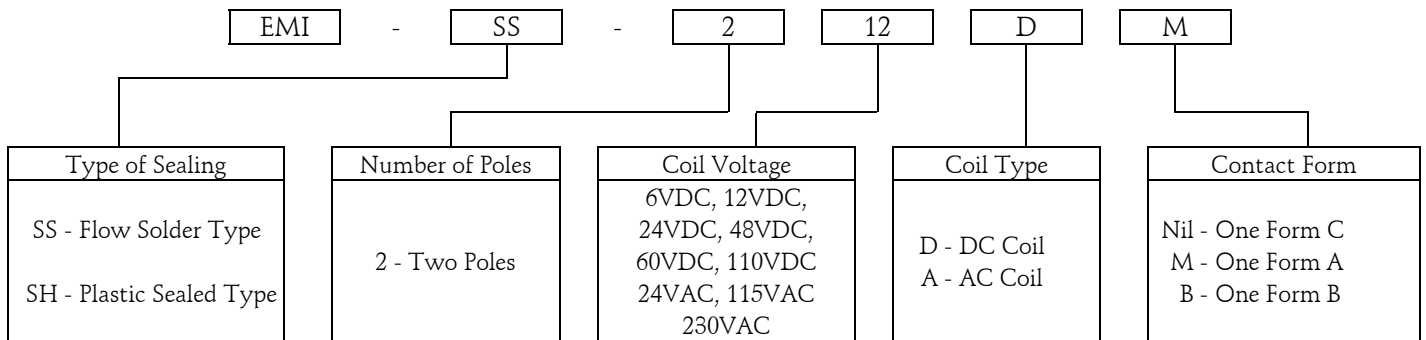
## Safety Standard & Its File Number:

- C-UL.....E141060
- TUV.....R-3-5000895

## Coil Specification (at 20 °C):

Coil Sensitivity	Nominal Voltage	Nominal Current (mA)		Coil Resistance ( $\Omega \pm 10\%$ )	Power Consumption (W)		Pull-In Voltage (VDC)	Drop-Out Voltage (VDC)	Maximum Allowable Voltage (VDC)
		50HZ	60HZ		50HZ	60HZ			
EMI DC Coil	6	66.7		90	Abt. 0.40		80% Maximum	5% Minimum	130%
	12	33.3		360					
	24	16.7		1,440					
	48	8.7		5,520					
	60	8.2		7,340					
	110	4.1		26,530					
EMI AC Coil	24	29.75	25.35	350	0.71	0.61	30% Minimum		
	115	7.65	6.3	8100	0.88	0.73			
	230	3.42	2.72	32500	0.79	0.63			

## Ordering Information:



## Dimension:

### EMI-2P-SS/SH

