

Main Feature

1. UDH Relay Series is designed with switching capacity by 12A to comply with user's selection.
2. Insulation distance 4 mm Min. is designed. The employment of insulation material is meeting to JIS Insulation Class E. The Dielectric Strength of 2,000 VAC Min. and Surge Resistance of 5,000V can be reached.
3. 2.54 mm terminal pitch employment is equal to I.C.'s terminal pitch.
4. Employment of suitable plastic materials to be applied to high temperature condition and various chemical solutions.
5. Complete protective construction is designed from dust and soldering flux. If required, the plastic sealed type is available for washing procedure.

Application

Cooking Appliances, Air Conditioners, Audio Equipment, Domestic Appliances, Car Control units, etc.

Contact Rating

- Nominal Load (Resistive Load $\cos \varphi = 1$)
Contact Capacity 12A at 120VAC.
10A at 250VAC.
12A/24VDC.
- Rated Carrying Current 12A.
- Max. Allowable Current 12A.
- Max. Allowable Voltage AC 240V, DC 110V.
- Max. Allowable Power Force. 1,200 VA, 300W.
- Min. Switching Load DC 10V, 10mA.
- Contact Material Ag Alloy.
- Contact Form SPST & SPDT.

Performance (at Initial Value)

- Contact Resistance 100m Ω Max. @1A, 6VDC
- Operate Time 7 mSec. Max.
- Release Time 4 mSec. Max.
- Dielectric Strength :
Between Coil & Contact 2,000VAC at 50/60 Hz
for one minute.
- Between Contacts 750VAC at 50/60 Hz
for one minute.
- Surge Resistance 5,000V (between Coil
& Contact 1.2x50 μ Sec.)
- Insulation Resistance 100 Mega Ω Min. at
500VDC.
- Max. On/Off Switching :
Electrical 30 Ops per Minute.
- Mechanical 300 Ops per Minute.

- Temperature Range -30~65°C
- Humidity Range 45~85% RH.
- Coil Temperature Rise 40°C Max. (3~24V)
50°C Max. (48V)
- Vibration :
Endurance 10 to 55 Hz dual
amplitude width 1.5mm.
- Error Operation 10 to 55 Hz dual
amplitude width 1.5mm.
- Shock :
Endurance 1,000 m/S² Min.
- Error Operation 100 m/S² Min.
- Life Expectancy :
Mechanical 10⁷ Operations at No
Load condition.
- Electrical 10⁵ Operations at Rated
Resistive Load.
- Weight About 10 g.

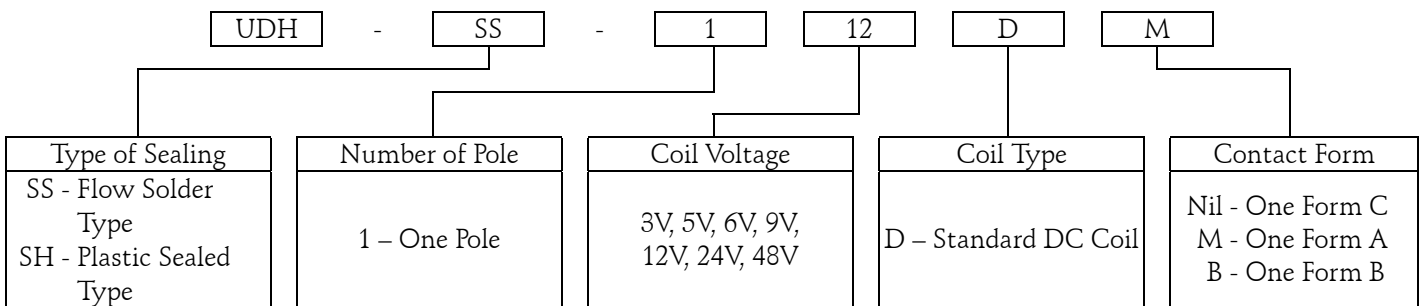
Safety Standard & Its File Number :

- UL E141060
- CSA LR76598

Coil Specification (at 20°C)

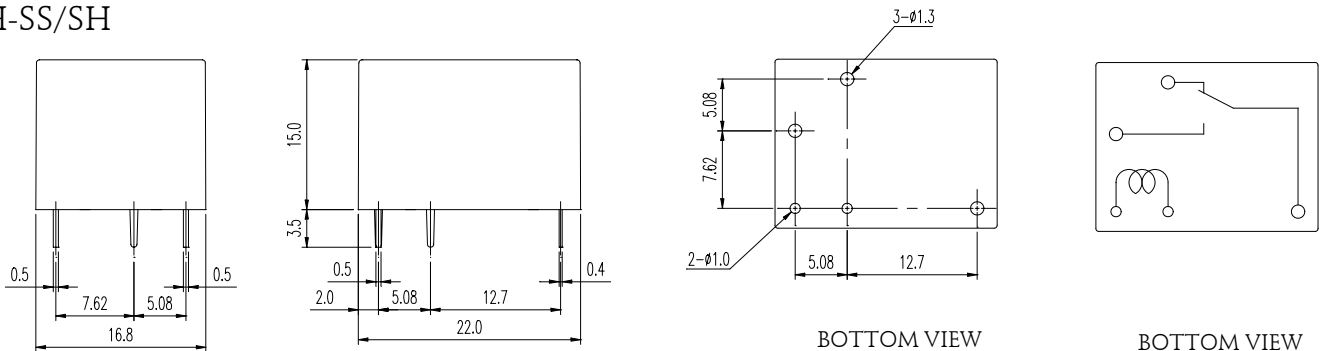
Coil Sensitivity	Nominal Voltage (VDC)	Nominal Current (mA)	Coil Resistance ($\Omega \pm 10\%$)	Power Consumption (W)	Pull-In Voltage (VDC)	Drop-Out Voltage (VDC)	Maximum Allowable Voltage (VDC)
UDH-D/DM	3	150	20	Abt. 0.45	75% Maximum	5% Minimum	130%
	5	89.5	56				
	6	75	80				
	9	50	180				
	12	37.5	320				
	24	20.9	1,150				
	48	13.7	3,500	Abt. 0.66			

Ordering Information:



Dimension:

UDH-SS/SH



Reference Data:

