

# JQC-24F

# 汽车继电器



File No.:Pending

### Features

- 15A continuous contact rating @85°C.
- 1 From A and 1 From C arrangement.
- 2.8mm Plug-in terminals.
- Plastic enclosure.
- Extended Temperature range:-40°C to +125°C

### CONTACT DATA

Contact Arrangement	1C	1A
Initial Contact Resistance Max. (1A 6VDC)	100mΩ	
Contact Material	AgSnO	
Contact rating	14VDC NO/NC : 20A/10A	14VDC 20A
Max. Break current	NO/NC : 30A/15A	30A
Max. Continuous current	NO/NC : 20A/10A	20A
Max. Make current <sup>(1)</sup>	NO/NC : 120A/40A	120A
Min. Applicable load	6VDC,100mA	
Expected life min. operations	Mechanical	1x10 <sup>7</sup> OPS
	Electrical	1x10 <sup>5</sup> OPS

**Note (1)** :Inrush current for lamp load

### COIL

Coil power	1.3W, 1.5W (680Ω resistor)
------------	----------------------------

### COIL DATA

Nominal Voltage VDC	Pick-up Voltage VDC @23°C	Drop-out Voltage VDC @23°C	Coil Resistance ± 10% @23°C	Allowable Overdrive (VDC)	
				@23°C	@85°C
6	3.60	0.60	27	10.4	7.60
12	7.20	1.20	109	20.4	14.9
24	14.40	2.40	436	40.4	29.6

### CHARACTERISTICS

Initial Insulation Resistance	100MΩ 500VDC	
Dielectric Strength Between coil and Contacts	500VAC, 1min.	
	Between open contacts	500VAC, 1min.
Operate time (at nomi.Vot.)	4 ms	
Release time (at nomi.Vot.)	1.5 ms	
Temperature rise (at nomi.Vot.)	Max.:70°C(at 20°C)	
Shock Resistance	Functional	100 m/s <sup>2</sup>
	Destructive	200 m/s <sup>2</sup>
Vibration resistance	1.5mm, 10Hz to 40Hz	
Humidity	40°C,98%	
Ambient temperature	-40°C to +125°C	
Termination	QC	
Unit weight	21g	
Construction	Dust Cover	



HONGFA RELAY  
ISO9001/QS9000/ISO14001 CERTIFIED

GuangZhou HuiHao ELECTRONIC CO.,LTD Tel:(020)83350902 Fax:(020)83394385 Http://www.songsen.com

## ORDERING INFORMATION

Type	JQC-24F / 012	1Z	R
Coil voltage	6, 12, 24VDC		
Contact arrangement	1H:1A (SPST-NO) 1Z:1C (SPDT)		

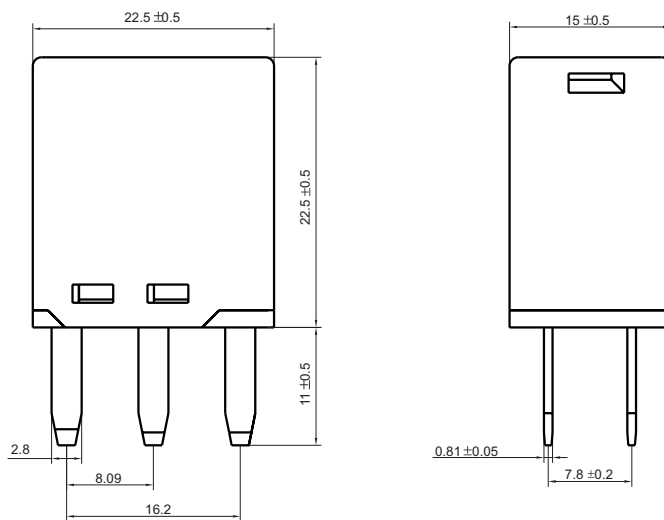
Nil:standard

R: resistor in parallel with coil.

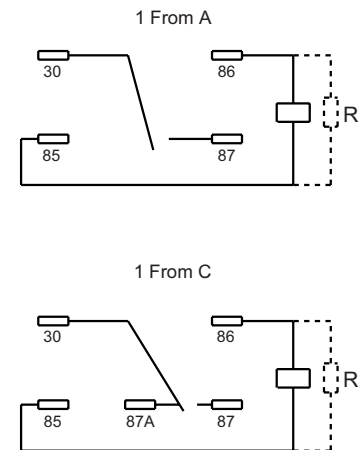
- 180Ω resistor in parallel 6VDC coil;
- 680Ω resistor in parallel 12VDC coil;
- 2700Ω resistor in parallel 24VDC coil;

## OUTLINE DIMENSIONS, WIRING DIAGRAM AND PC BOARD LAYOUT

Outline Dimensions



Wiring Diagram



## CHARACTERISTICS CURVE

